

Long Range Surveillance System

InfiVISION - 1 is a ruggedized Electro-Optic Surveillance System for Long Range Surveillance and other mission critical situations. The system provides high contrast images for interpretation and analysis from daybreak to nightfall; and adjusts to varying light conditions to provide crisp images even in Low Light conditions.

Friend or Foe detection enables military and civilian homeland security systems to cue InfiVISION - 1 from Command system to identify people or vehicles, and to determine their bearing.

Long range identification and Narrow Field of View make InfiVISION - 1 an ideal tool for observing cross border traffic and providing Critical Infrastructure Surveillance.

Highly customizable

The product is indigenously designed, enabling various levels of customizations all through the design, to optimally fit client's requirements

Low light imaging

Extremely low-noise product development delivers clear images in dawn, dusk and moon light



Short and Dense

Indigenously designed for low foot print applications, 1300 mm focal length is packed in short length

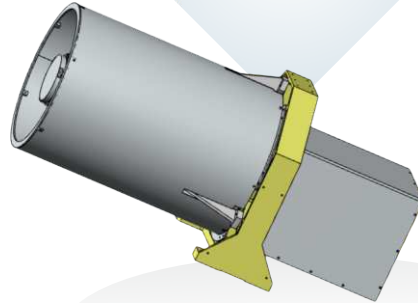


OPTIMIZED ELECTROTECH

Long Range Surveillance System

Applications

- ▶ Port Surveillance
- ▶ Aircraft Tracking
- ▶ Vessel/Vehicle Identification
- ▶ Airport Security
- ▶ Perimeter Security
- ▶ Militant Insurgency Prevention



NFoV Camera Monochrome - VIS+NIR

Spectrum	VIS + NIR (0.3 μ to 0.9 μ)	Image and Video Viewer	
Auto Focus		Frame Rate	33 FPS
Auto Exposure		Image Resolution	5.5 M Pixels
Human Detection		Video Out Communication	Ethernet
Motion Detection		Pan and Tilt	
Digital Magnetic Compass		360° Continuous PAN; Tilt Angle + /-60°	
Equi. Focal Length	1300mm	Pan Speed	01° - 20°/sec
Base FoV	0.6° x 0.6°	Tilt Speed	01° - 10°/sec
Enhanced Assisted FoV	0.9° x 0.6° / 0.6° x 0.9°	WFoV Camera	
Digital Zoom	2x	FoV	6°
Video Recording Capability	9 Hours	Camera Resolution	2MP

AUTOMATIC PERSON RECOGNITION

Trigger on event based on recognition of a person at a spot. Get Bearing information directly with no human intervention

MOTION DETECTION

Detect and alert based on Detection of Motion of any person from 5 km or vehicles from farther distance

HD VIDEO CAPTURE

Record full frame high-definition video for extended hours



HIGH FOCAL LENGTH

1300 mm focal length gives you close up picture of people and vehicles from afar

DETECTION

RECOGNITION

IDENTIFICATION

SURVEILLANCE

RUGGED



**OPTIMIZED
ELECTROTECH**

E: business@optimizedelectrotech.com
www.optimizedelectrotech.com

